

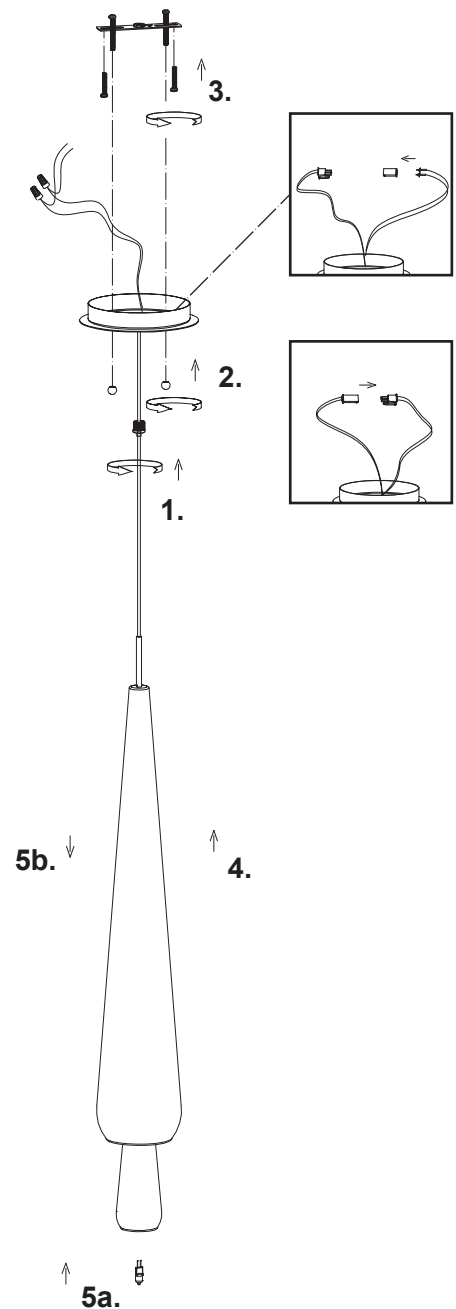
Clear cone pendant with inner coloured glass.

- 1.** Remove the fixture from its original packaging. To connect the pendant to the canopy please read the EASY-LINK SYSTEM INSTRUCTIONS located inside the hardware package. Once the pendant has been attached to the canopy you can then begin the installation of the glass pieces. 1a) Located at the end of the pendant there is a twist off decorative nut at the bottom where the light bulb is to attach. 2b) Remove the decorative nut by turning it clockwise with your fingers, you can then remove the chrome screw cover, four prong pressure spring / or nut and the chrome bell shaped glass insert support.
- 2.** You can now install the glass onto the pendant, depending on where you are installing the fixture and how many pendants you have to put together this may be a two person job. 2a) Take the larger glass and put the socket through the top part of the glass and push up the cord. 2b) Take the smaller white glass and put the socket through the top part and put up the cord being careful not to hit the glass together.
- 3.** You now need to install all the hardware to keep the glass into place. Please make sure all parts are installed in correct order. 3a) Push up the bell shaped glass insert support onto the socket until it stops at the top of the socket. 3b) Push up the four pronged pressure spring onto the socket or twist on the nut until tightly against the bell shaped glass insert. 3c) Push up the chrome screw cover onto the socket until up against the pressure spring or nut. 3d) Screw on the decorative socket nut counter-clockwise until finger tight.
- 4.** Install a G4 bi-pin light bulb into the socket. Make sure the wattage is correct for that fixture.
- 5.** Now with everything installed you can now gently bring down the small white glass until it rests correctly on top of the chrome bell shaped glass insert support. Then gently bring down the larger decorative glass until it rests on top of the small white insert glass.
- 6.** If you have more than one pendant please follow the instructions over again until all pendants are installed.

You have now successfully installed a pendant(s) and can start enjoying your new fixture.

START FROM HERE

- Make sure power is completely off at the fuse box.
- Have your fixture installed by a qualified licensed electrician
- Prepare everything in clear area.
- Wear gloves at all times during this installation.
- Read instructions carefully before you start assembly.
- Keep this instruction sheet for future reference.



KUZCO
LIGHTING

19054 28th Avenue Surrey, BC Canada V3S 6M3
T: 604 538 7162 TF: 1-855 85 KUZCO F: 604 538 7196
W: kuzcolighting.com